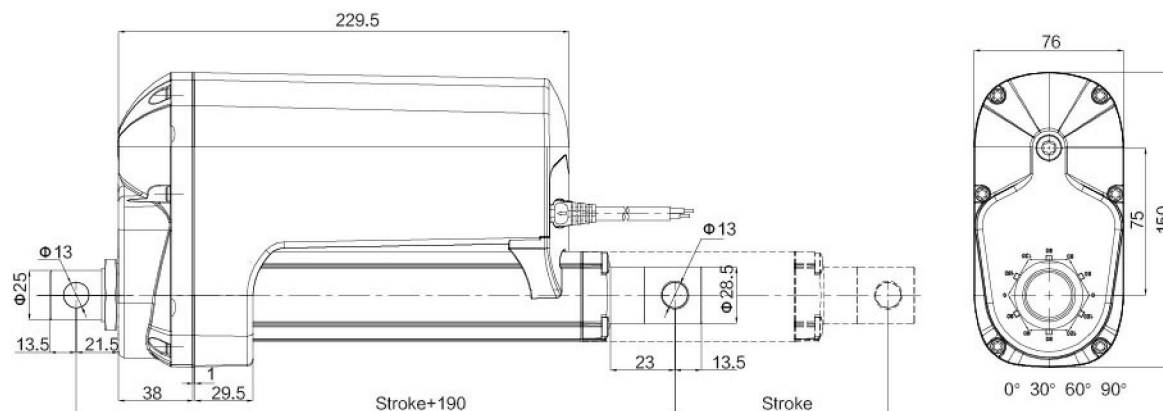


Model: MPP-ITEX



Built in Hall sensor (Optional)

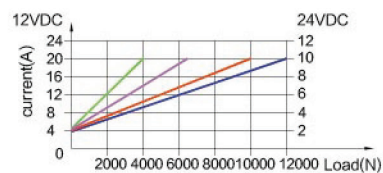
Installations Dimension



Specifications

Input Voltage	72V / 48V / 36V / 24V / 12V DC
Load Capacity	12000N
Speed	5~60mm/s
Stroke	Customize
Type of Duty	10%, 2min. on / 18min. off
Limit Switches	Inner
Operation Temperature	-15°C ~ 65°C
Protection Class	IP66

load VS current



load VS speed

